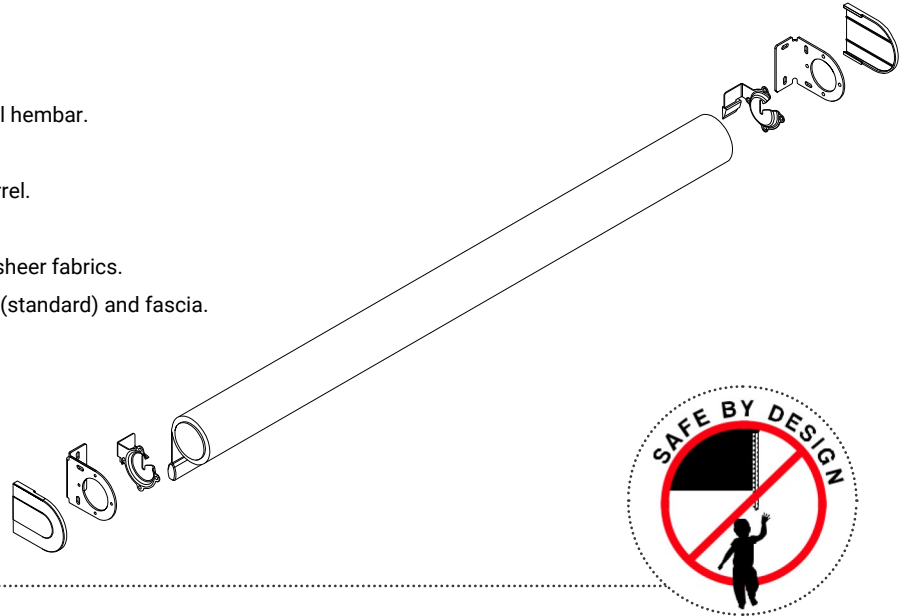


## RBL-QM Hybrid Roller Blind powered by QMotion

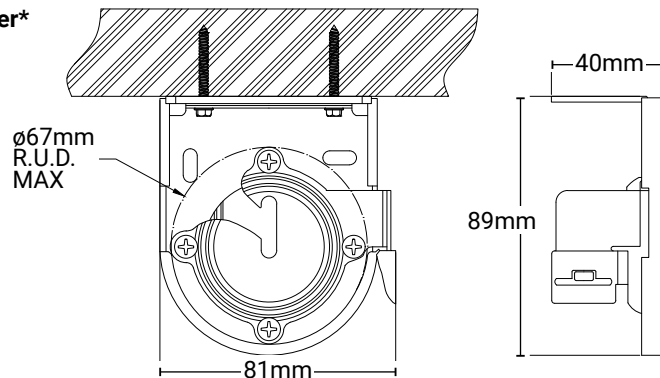
### Features and benefits

- Steel mounting bracket with endcap covers.
- Operation via RTS switch and/or manually pull hembar.
- No wiring required.
- Recyclable Alkaline Batteries concealed in barrel.
- Low maintenance/long battery life.
- Dual roller version available for blackout and sheer fabrics.
- Multiple hardware options including brackets (standard) and fascia.

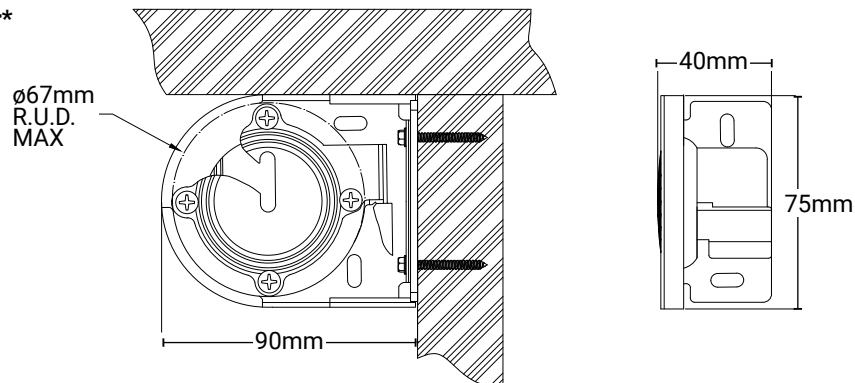


### Fixing Brackets – Small (max roll up dia. 67mm)

#### Ceiling fix (top fix) – with cover\*

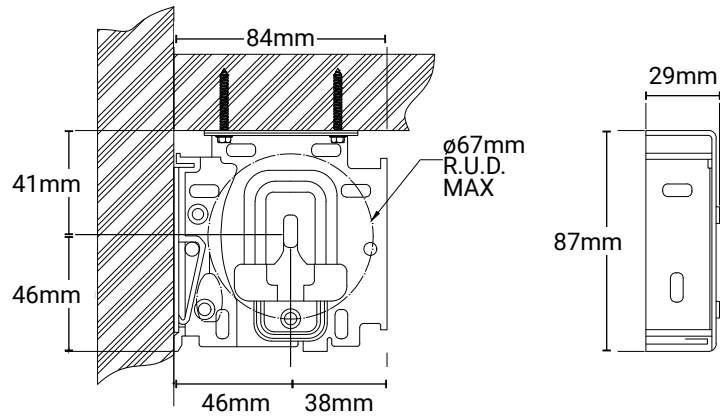


#### Wall fix (face fix) – with cover\*

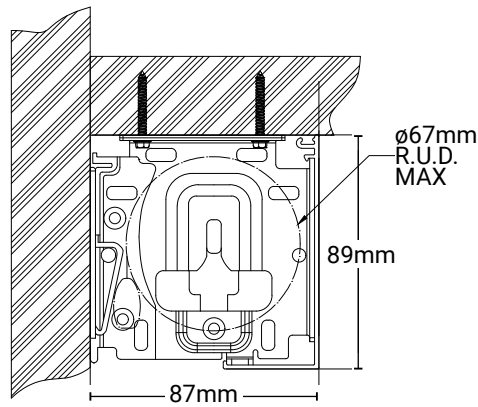


\*Brackets are available without covers. Cover adds 5mm to bracket thickness.

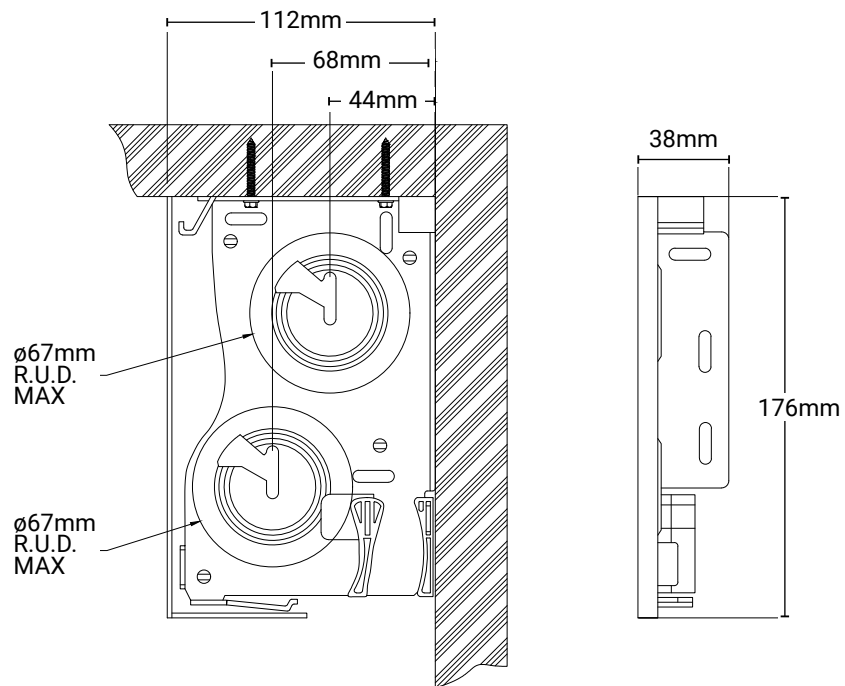
**Pocket Bracket – no fascia**



**Pocket Bracket – with fascia**

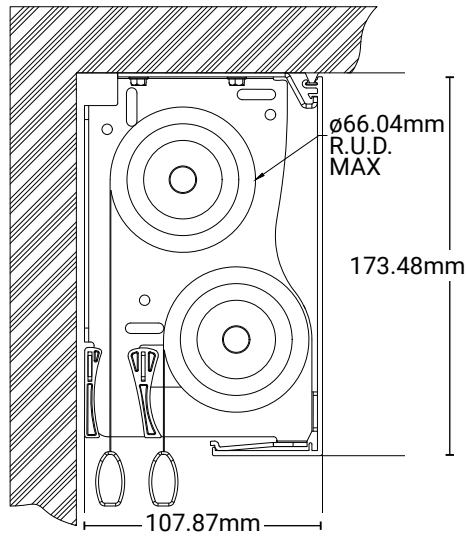


**Dual Bracket – with cover\*\***



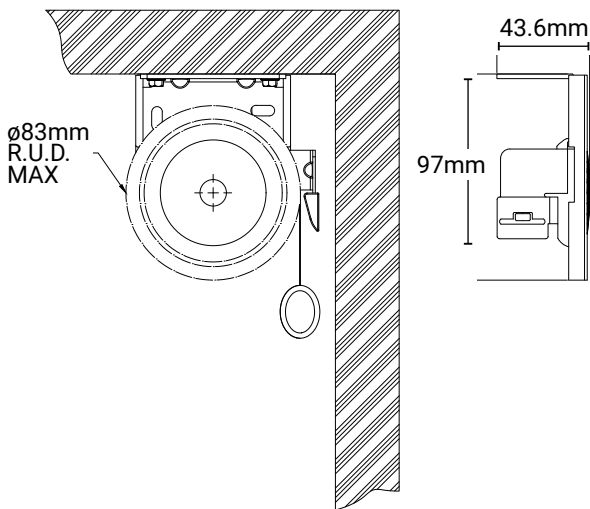
\*\*Brackets are available without covers. Cover adds 2mm to bracket thickness.

**Dual Bracket – with fascia**

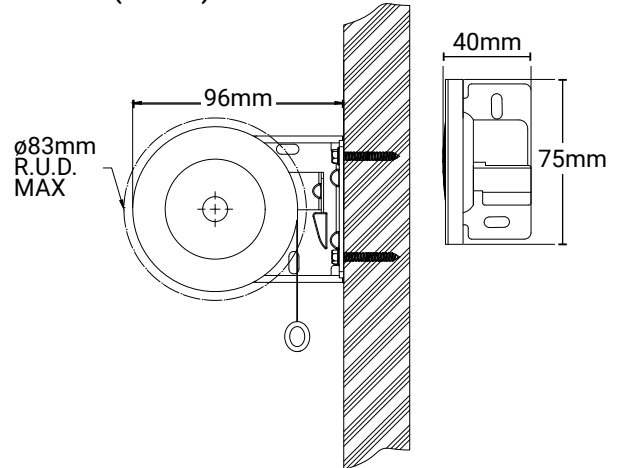


**Fixing Brackets – Medium (max roll up dia. 83mm)**

**Ceiling Fix (top fix) – with cover\***

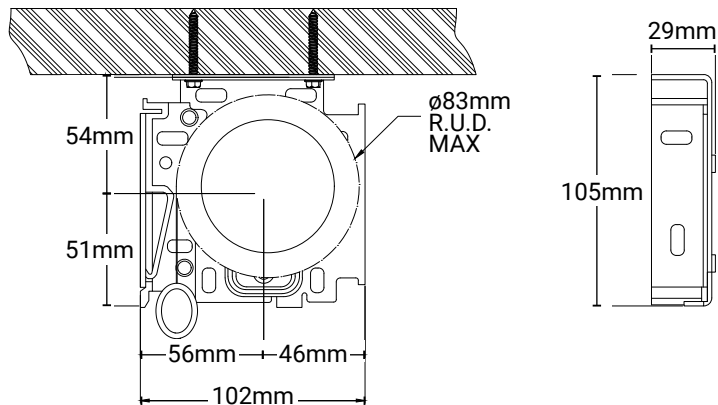


**Wall Fix (face fix) – with cover\***

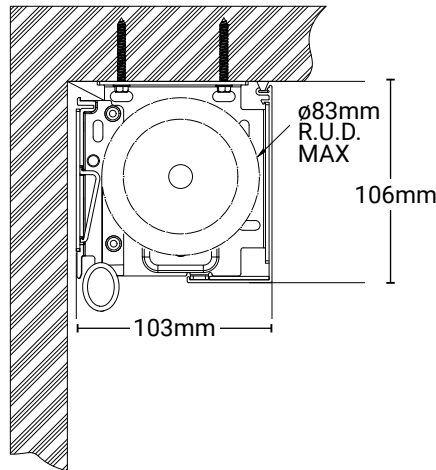


\*Brackets are available without covers. Cover adds 5mm to bracket thickness.

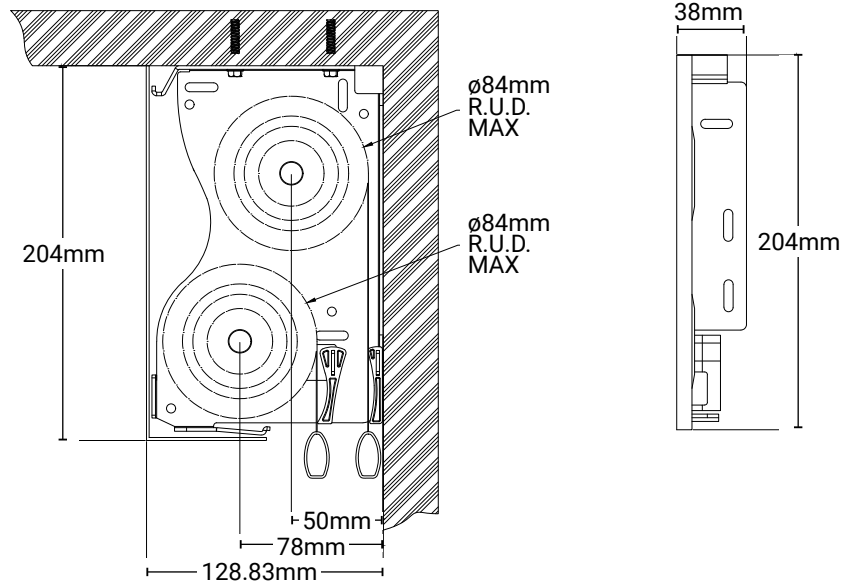
**Pocket Bracket – no fascia**



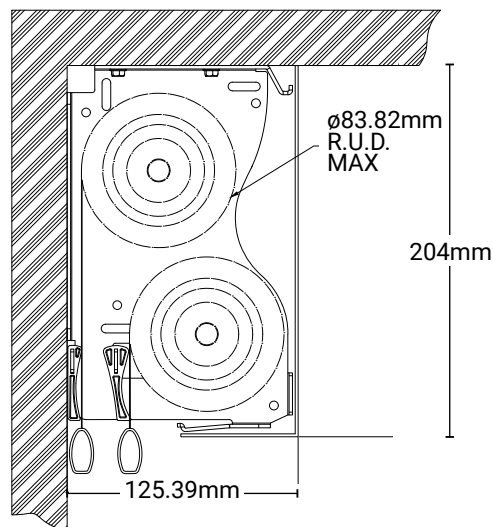
**Pocket Bracket – with fascia\*\***



**Dual Bracket – with cover\*\***



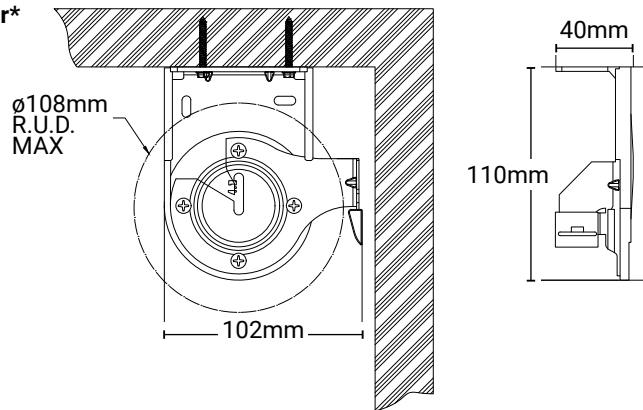
**Dual Bracket – with fascia**



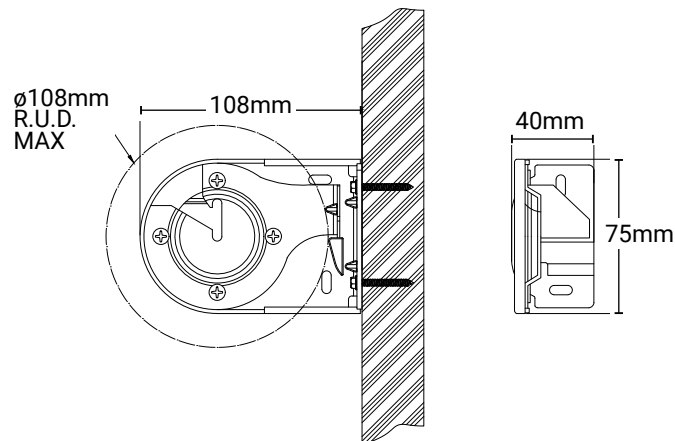
\*\*Brackets are available without covers. Cover adds 2mm to bracket thickness.

**Fixing Brackets – Large (max roll up dia. 108mm)**

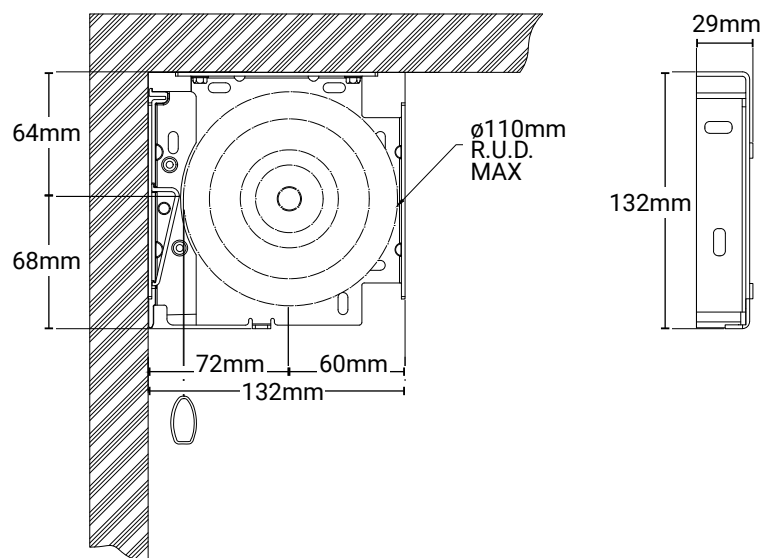
**Ceiling Fix (top fix) – with cover\***



**Wall Fix (face fix) – with cover\***

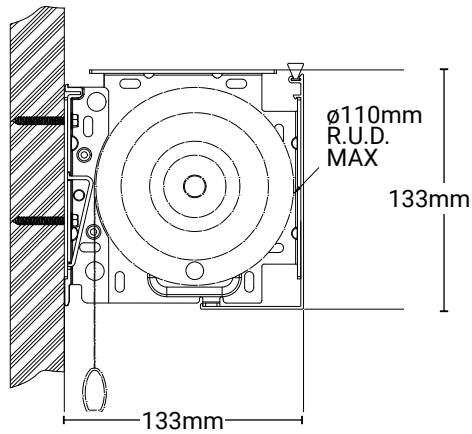


**Wall Fix (face fix) – with cover\***

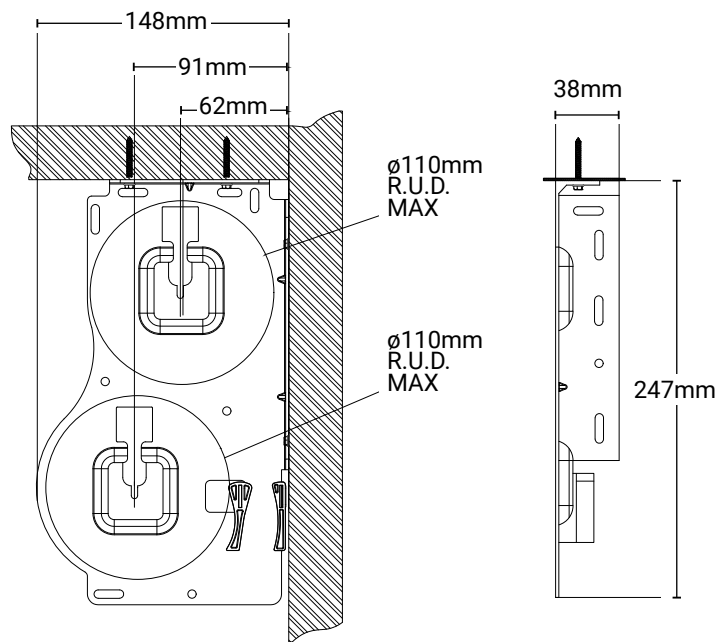


\*Brackets are available without covers. Cover adds 5mm to bracket thickness.

**Fascia Bracket – with fascia**



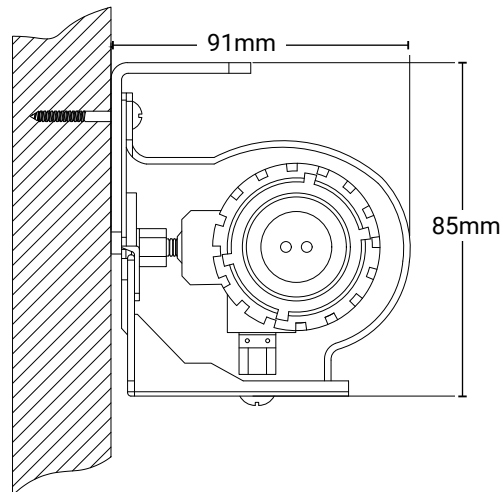
**Dual Bracket – no cover or fascia**



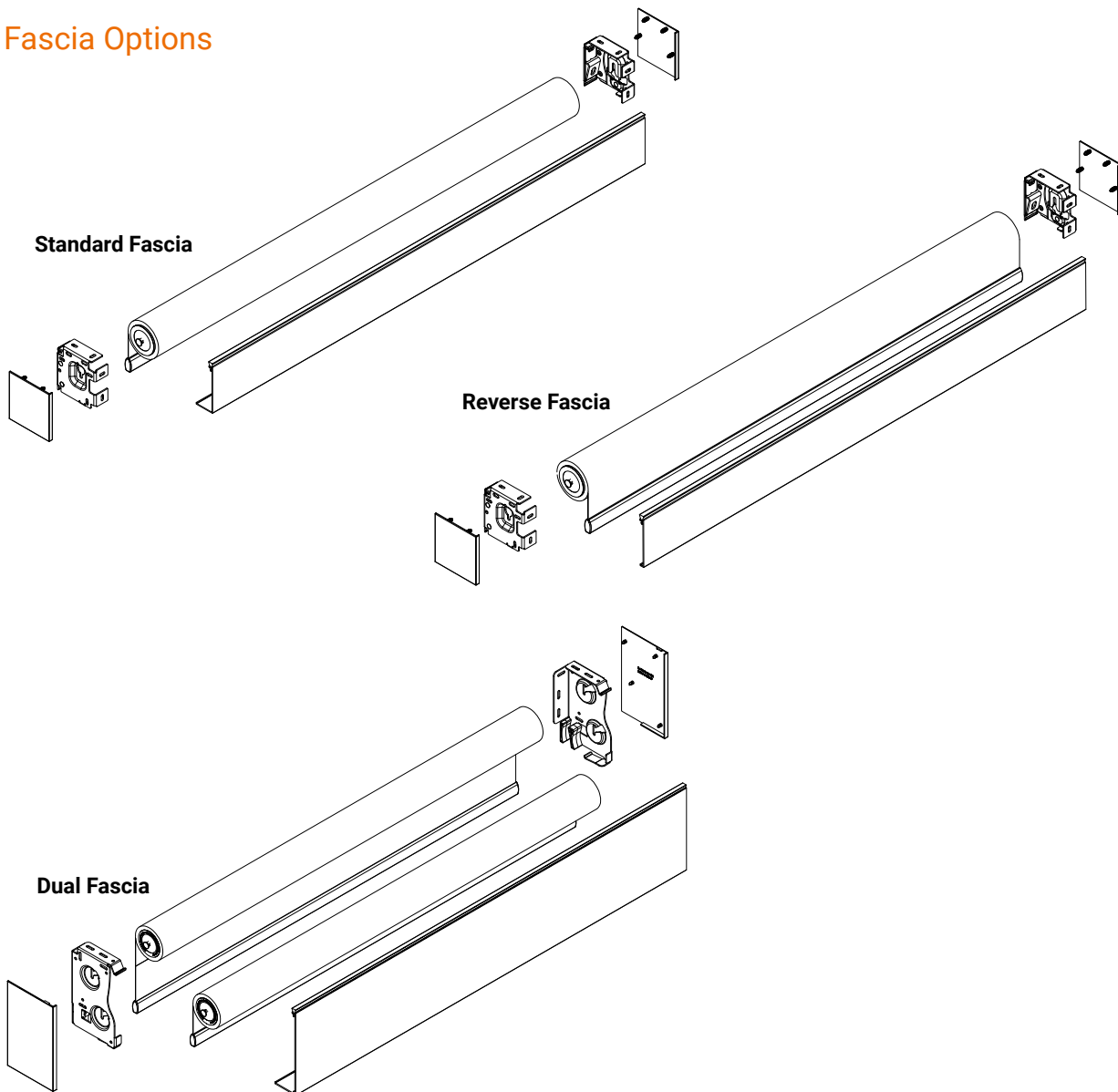
**Reverse Roll Brackets**

Reverse roll brackets are available for most bracket options, please contact Waverley technical for details and dimensions.

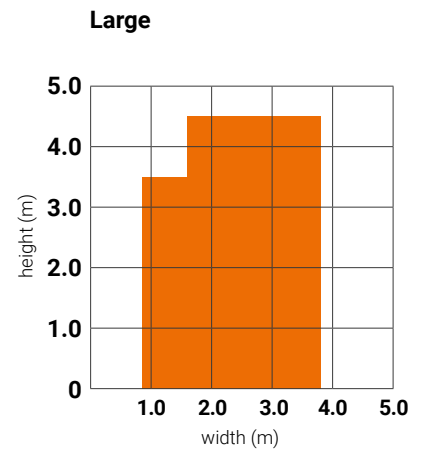
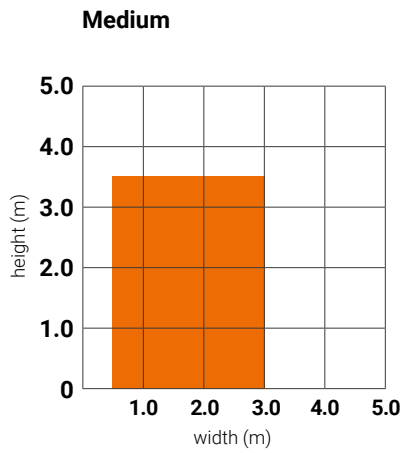
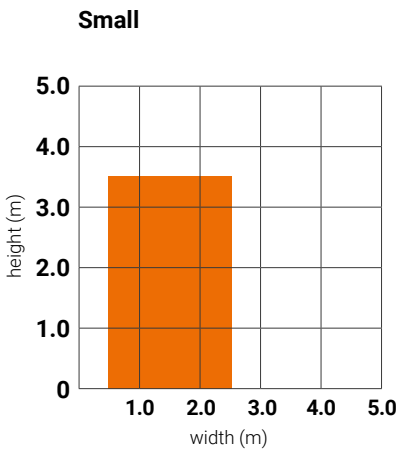
### Link Brackets



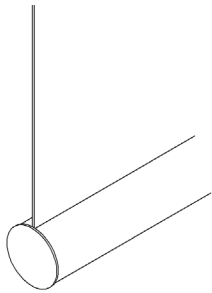
### Fascia Options



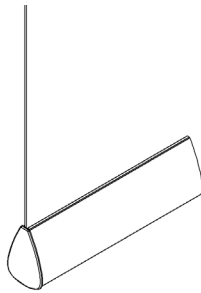
## Size parameters



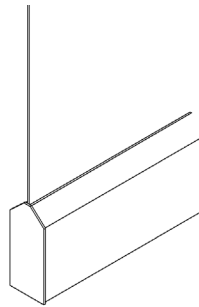
## Bottom bar options



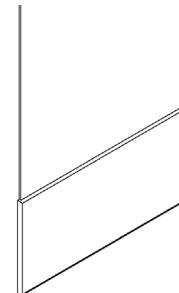
Round



Teardrop



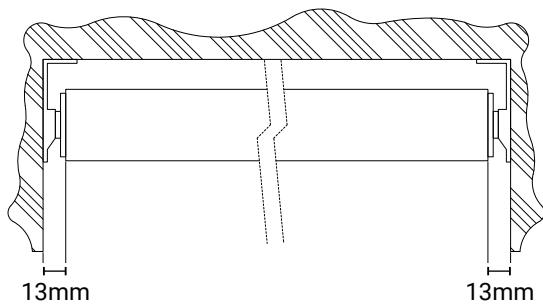
Rectangular



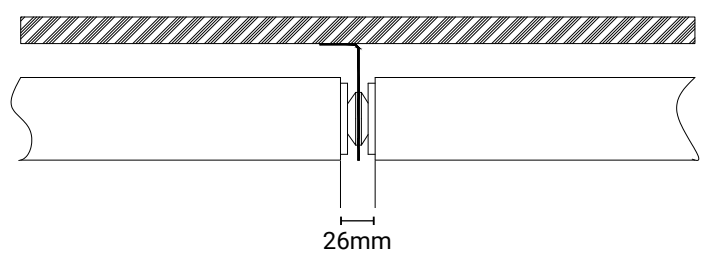
Fabric Enclosed

## Light Gap

### Single Blind



### Linked Blind





## Battery

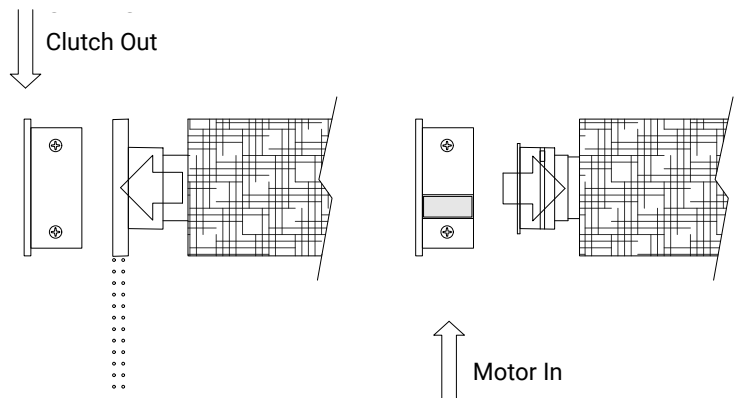
- Blinds up to 559mm wide use AA lithium batteries. Expected life 12 – 18 months.\*
- Blinds over 559mm use fully recyclable D-cell alkaline batteries. Expected life up to 3 years.\*
- Easy battery replacement via access port in tube without removing blind from brackets.

\*Battery life is based on 2-4 operations per day but is dependant on factors such as usage, size and environmental factors.

## Control Options – Qbasic+

- Unique premium manual blind that can be upgraded to motorised in minutes in the field.
- Upgrade does not require removal of fabric or major bracket reinstallation.
- Full automation can be provided on a window by window basis as budget allows.

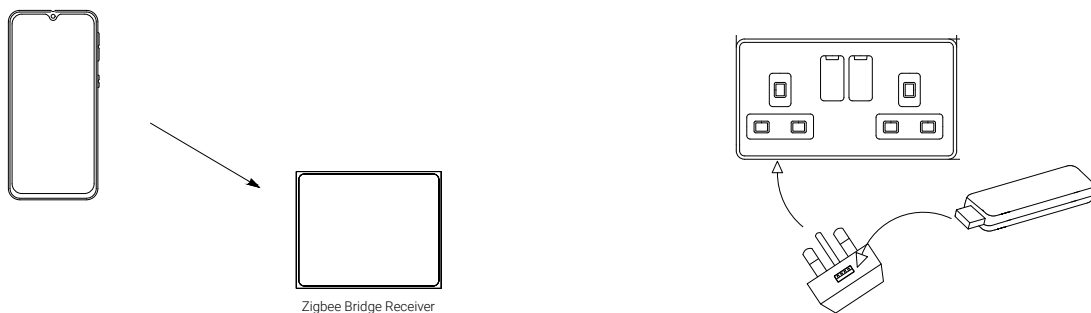
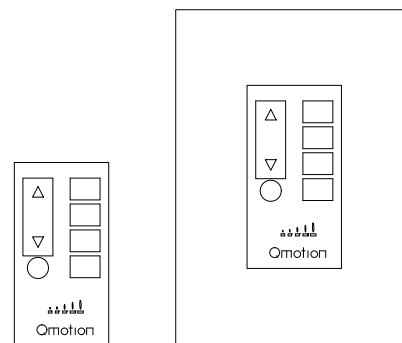
Contact Waverley technical for full details



## Control Options - RTS

- Manually operate blind by 'pulling' hembar.
- Single and multiple channel RTS handheld or wall mounted transmitters.
- 6 no customisable pre-set stop positions.
- Control via Zigbee Bridge app for iOS & Android\*
- Normal remote range is 9 – 15 metres and can be extended via USB port relays.
- Unlimited number of blinds can be programmed per channel.

\*Different control to FM, requires different motor at extra cost.



## Control Options – 24v hardwired

Please contact Waverley for details.

---

## Control Options – Remotes and wall plates

### Single Channel – (1 way communication only)

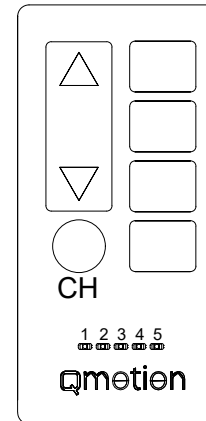
- 6 no buttons – up/down and four customisable pre-set positions.
- Unlimited number of blinds all run together.
- Magnetic back for storing in wall plate.

### Wall Plate

- Remote is held in wall plate by strong magnet to allow use as wall switch.

### Hospitality Wall Plate

- Allows remote to be permanently attached to wall plate to prevent removal by unauthorised persons.





### Fabric choice

The entire ShadeTech® fabric range is suitable for use with ShadeTech RBL-QM. Alternatively, they can be manufactured using the fabric selected by the specifier or client.

### Maintenance

ShadeTech RBL-QM Hybrid roller blinds are made from high quality materials. Cleaning regime depends upon fabric specified. Most can be wiped clean with a damp cloth.



### Quality and Guarantee

ShadeTech RBL-QM Roller Blinds are manufactured in accordance with a quality control system certified under EN ISO 9001:2000. They are rigorously tested to guarantee trouble free operation and are designed with Health and Safety and environmental standards in mind.

The hardware system carries a 25 year warranty and all motors and controls carry a Limited Lifetime warranty. (Batteries are not included).

Contact us on [sales@waverley.co.uk](mailto:sales@waverley.co.uk) or 01252 737973 for assistance with your specification.  
Specification wording can be downloaded from our website [www.waverley.co.uk](http://www.waverley.co.uk)